

... on track for you!



LIS HYDRAULIKHAMMER

Operating and maintenance manual part 2

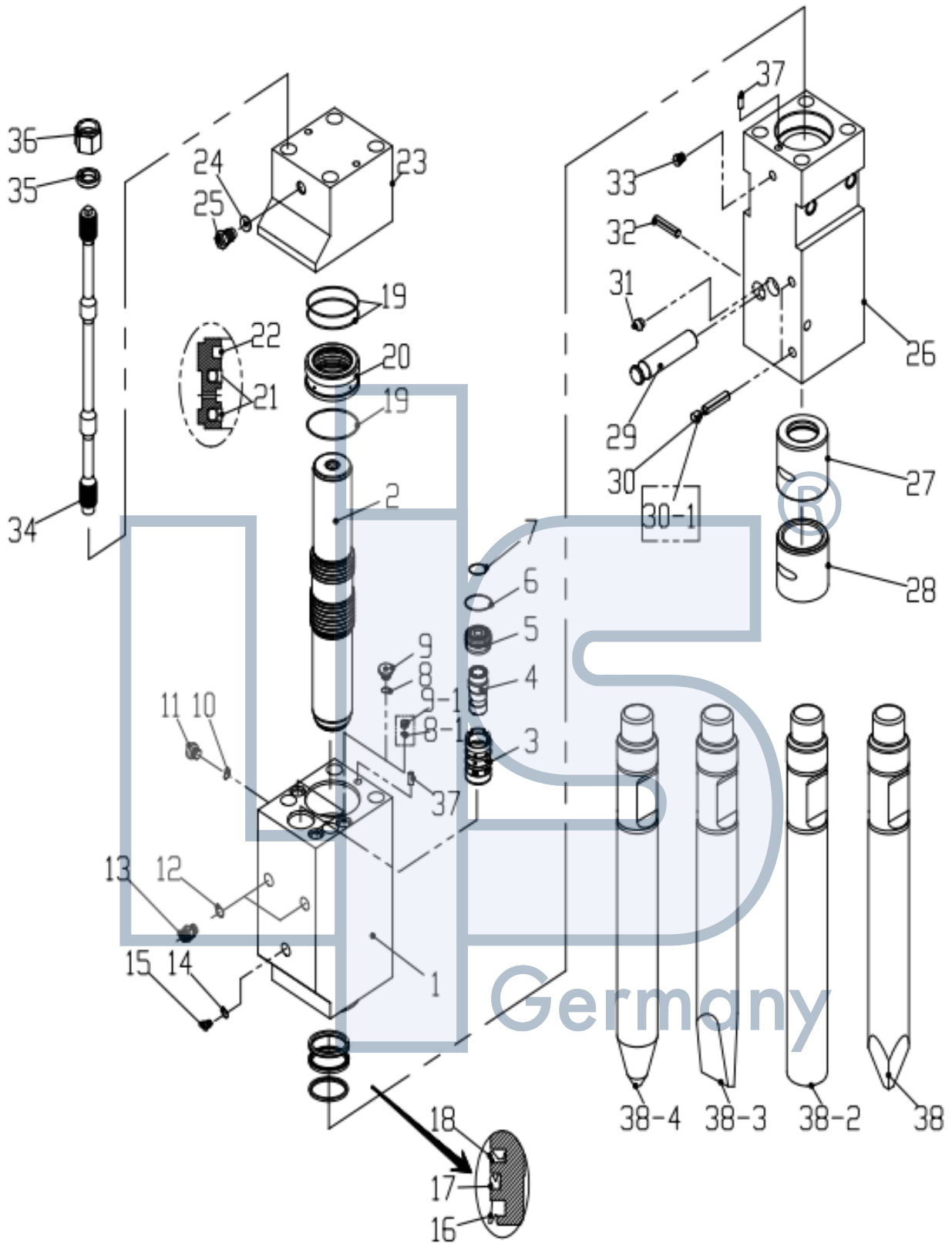
SPARE PARTS LISTS
LINER INDUSTRIE SERVICE GMBH

Germany

Table of contents

Parts and accessories list (LIS40-LIS75)	2
Parts list Hammer body (LIS40 - LIS75)	3
Parts and accessories list (LIS75ABH)	4
Parts list Hammer body (LIS75ABH)	5
Parts and accessories list (LIS85-LIS100A)	6
Parts list Hammer body (LIS85-LIS100A)	7
Parts and accessories list (LIS100ABH)	8
Parts list Hammer body (LIS100ABH)	9
Parts and accessories list (LIS120A, LIS135A)	10
Parts list Hammer body (LIS120A, LIS135A)	11
Parts and accessories list (LIS140A, LIS155, LIS165, LIS175)	13
Parts list Hammer body (LIS140A, LIS155A, LIS165A, LIS175A)	14
Housing parts and accessories list BOX TYPE (LIS40,LIS45,LIS53)	16
Housing parts and accessories list BOX TYPE (LIS68)	17
Housing parts and accessories list BOX TYPE (LIS75A, LIS100A)	18
Housing parts and accessories list BOX TYPE(LIS140A, LIS155)	19
Tools and Tool Box	20
Tool SET	21
Back head charging tool set	25
Accumulator charging tool set	26

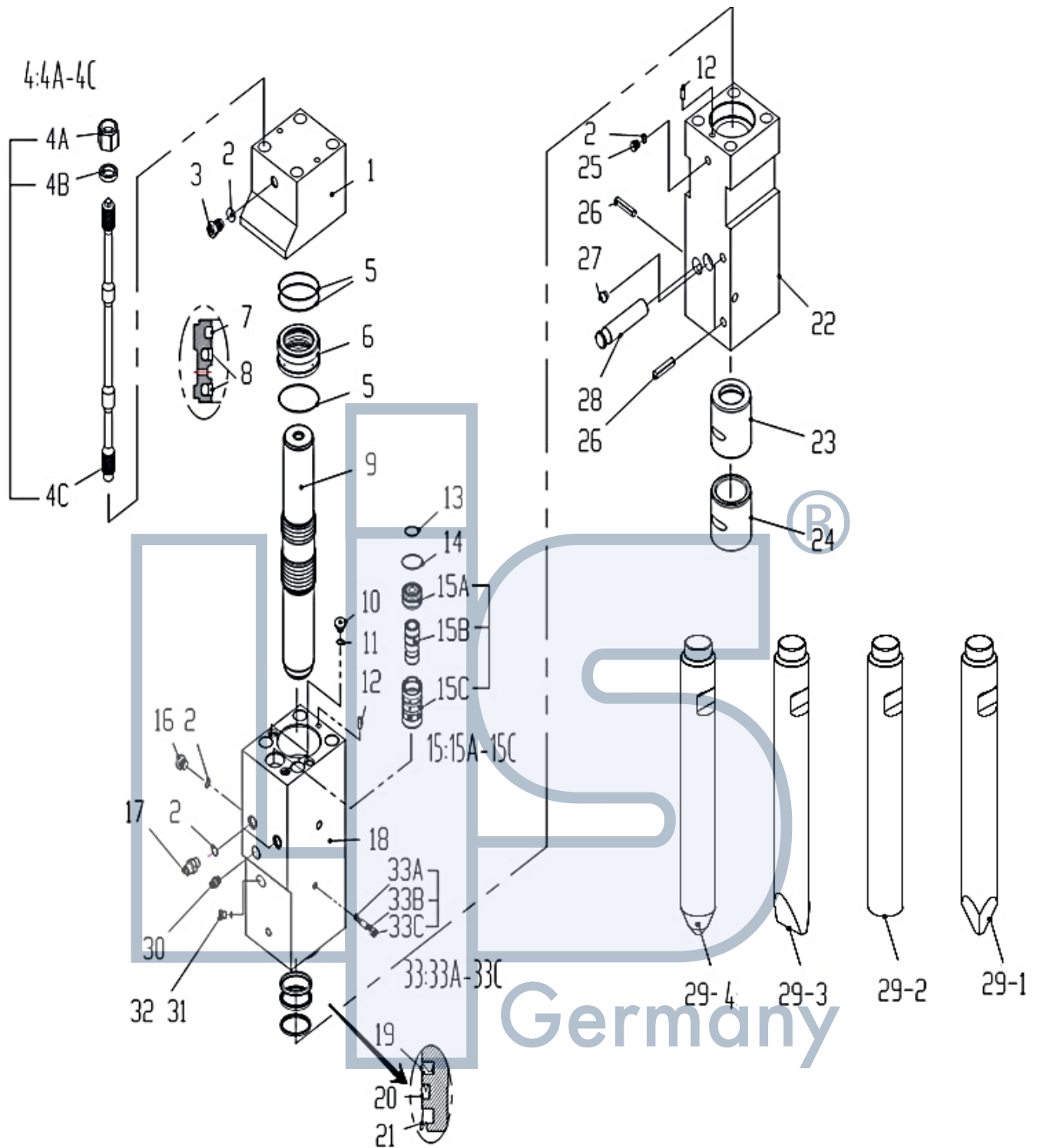
Parts and accessories list (LIS40-LIS75)



Parts list Hammer body (LIS40 - LIS75)

NO	PARTS NAME	LIS40		LIS45		LIS53		LIS68		LIS75A		Remark
		P/N	Qty	P/N	Qty	P/N	Qty	P/N	Qty	P/N	Qty	
1	Cylinder	S3031001	1	S3041001	1	S3061001	1	S3071001	1	S3081001	1	
2	Piston	S3031002	1	S3041002	1	S3061002	1	S3071002	1	S3081002	1	
Valve Assy's		S5031000	/	S5041000	/	S5061000	/	S5071000	/	S5081000	/	
3	Valve Sleeve	S5031002	1	S5031002	1	S5061002	1	S5071002	1	S5081002	1	
4	Valve	S5031003	1	S5031003	1	S5061003	1	S5071003	1	S5081003	1	
5	Valve Plug	S5031004	1	S5031004	1	S5061004	1	S5071004	1	S5081004	1	
6	O-Ring	B2002030	1	B2002030	1	B2002032	1	B2001040	1	B2001040	1	
7	O-Ring	B2001025	1	B2001025	1	B2001025	1	B2001030	1	B2001030	1	
8	O-Ring	/	/	/	/	/	/	B2002016	3	B2002016	3	
9	Plug	/	/	/	/	/	/	B7001018	3	B7001018	3	
8-1	O-Ring	B2002011	3	B2002011	3	B2002011	3	/	/	/	/	
9-1	Plug	B7001315	3	B7001315	3	B7001315	3	/	/	/	/	
10	O-Ring	/	/	/	/	/	/	B2002018	1	B2002018	1	
11	Plug	/	/	/	/	/	/	B7001021	1	B7001021	1	
12	O-Ring	B2002018	2	B2002018	2	B2002018	2	B2002018	2	B2002018	2	
13	Adapter	B7002021	2	B7002021	2	B7002021	2	B7002021	2	B7002021	2	
14	O-Ring	B2002016	1	B2002018	1	B2002018	1	/	/	/	/	
15	Plug	B7001018	1	B7001021	1	B7001026	1	/	/	/	/	
Seal Kit		B2031000	/	B2041000	/	B2061000	/	B2071000	/	B2081000	/	
16	Dust Seal	B2031001	1	B2041001	1	B2061001	1	B2071001	1	B2081001	1	
17	U-Packing	B2031002	1	B2041002	1	B2061002	1	B2071002	1	B2081002	1	
18	Buffer Seal	/	/	/	/	/	/	/	/	B2081003	1	
19	O-Ring	B2001060	3	B2001065	3	B2001070	3	B2001092	4	B2001100	4	
21	Step Seal	B2031007	2	B2041007	2	B2061007	2	B2071007	2	B2081007	2	
22	Gas Seal	B2031008	1	B2041008	1	B2061008	1	B2071008	1	B2081008	1	
20	Seal Retainer	S3031004	1	S3041004	1	S3061004	1	S3071004	1	S3081004	1	
23	Back Head	S4031001	1	S4041001	1	S4061001	1	S4071001	1	S4081001	1	
24	O-Ring	B2002018	1	B2002018	1	B2002018	1	B2002018	1	B2002018	1	
25	Charging Valve	B7003021	1	B7003021	1	B7003021	1	B7003021	1	B7003021	1	
26	Front Head	S2031001	1	S2041001	1	S2061001	1	S2071001	1	S2081001	1	
27	Thrust Bush	S2031003	1	S2041003	1	S2061003	1	S2071003	1	S2081003	1	
28	Front Bush	S2031002	1	S2041002	1	S2061002	1	S2071002	1	S2081002	1	
29	Rod Pin	S2031004	1	S2041004	1	S2061004	1	S2071004	1	S2081004	1	
30	Spring Pin/Front Cover Pin	S2031005	2	S2041005	2	S2061005	2	S2071005	2	S2081005	2	
30-1	Spring Pin	B7007313	2	B7007313	2	B7007313	2	/	/	/	/	
31	Grease Nipple	B7005001	1	B7005001	1	B7005001	1	B7005001	1	B7005001	1	
32	Stop Pin	B7007210	1	B7007210	1	B7007210	1	B7007210	1	B7007210	1	
33	Air Check Valve	B7004021	1	B7004021	1	B7004021	1	/	/	B7004021	1	
Through Bolt Assy's		S8031000	/	S8041000	/	S8061000	/	S8071000	/	S8081000	/	
34	Through Bolt	S8031001	4	S8041001	4	S8061001	4	S8071001	4	S8081001	4	
35	Washer	S8031004	4	S8041004	4	S8061004	4	S8071004	4	S8081004	4	
36	Hex Nut	S8031003	4	S8041003	4	S8061003	4	S8071003	4	S8081003	4	
37	Locked Pin	/	/	/	/	/	/	B7007112	2	B7007112	2	
38	Rod (Moil Point)	B1033000	1	B1043000	1	B1063000	1	B1073000	1	B1083000	1	
38-2	Rod (Blunt)	B1032000		B1042000		B1062000		B1072000		B1082000		
38-3	Rod (Wedge)	B1034000		B1044000		B1064000		B1074000		B1084000		
38-4	Rod (Cone)	B1031000		B1041000		B1061000		B1071000		B1081000		

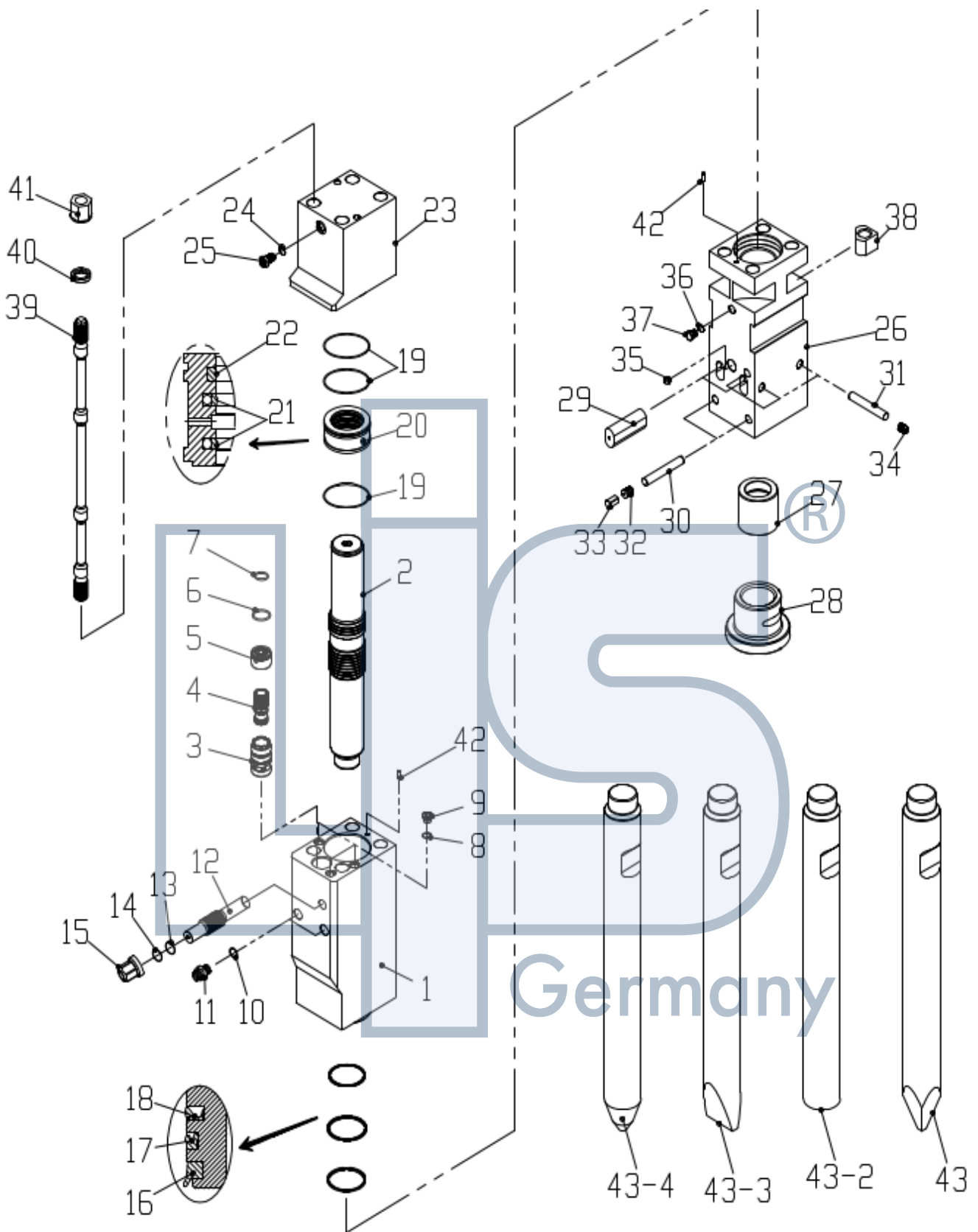
Parts and accessories list (LIS75ABH)



Parts list Hammer body (LIS75ABH)

NO	PARTS NAME	LIS75ABH		Remark
		P/N	Qty	
1	Back Head	N75S3001	1	
2	O-Ring	B2002018	5	
3	Chargin Valve	B7003021	1	
Through Bolt Assy's		N75S4000	4	
4A	Hex Nut	S5081002	1	
4B	Washer	S5081003	1	
4C	Though Bolt	S5081004	1	
6	Seal Retainer	N75S2003	1	
9	Piston	N75S2002	1	
11	Plug	B7001018	3	
12	Lock Pin	B7007112	2	
Valve Assy		N75S2005	1	
15A	Valve Plug	N75S200504	1	
15B	Valve	N75S200503	1	
15C	Valve Sleeve	N75S200502	1	
16	Plug	B7001021	1	
17	Adapter	B7002021	2	
18	Cylinder	N75S2001	1	
22	Front Head	N75S1001	1	
23	Thrust Bush	S75S1003	1	
24	Front Bush	N75S1002	1	
25	Air Check Valve	B7004021	1	
26	Front Cover Pin	N68S1005	3	
27	Grease Nipple	B7005001	1	
28	Rod Pin	N75S1004	1	
29-1	Moil Point Chisel	N75SQ001	1	
29-2	Blunt Chisel	N75SQ002	1	
29-3	Wedge Chisel	N75SQ003	1	
29-4	Cone Chisel	N75SQ004	1	
30	Pipe Adapter	B7002013-1	1	
31	Plug	B7001013	1	
ABH Switch		N75S20010120	1	
33A	Valve Rod	N75S20010120-1	1	
33B	O-Ring	B2002005	1	
33C	Nut	H48212120	1	
Seal Kit		N75S5000	1	
5	O-Ring	B2001100	3	
7	Step Seal	N75S200408	1	
8	Gas Seal	N75S200407	1	
10	O-Ring	B2002016	3	
13	O-Ring	B2001025	1	
14	O-Ring	B2001040	1	
19	Buffer Seal	N75S200403	1	
20	U-Packing	N75S200402	1	
21	Dust Seal	N75S200401	1	
32	O-Ring	B2002011	1	

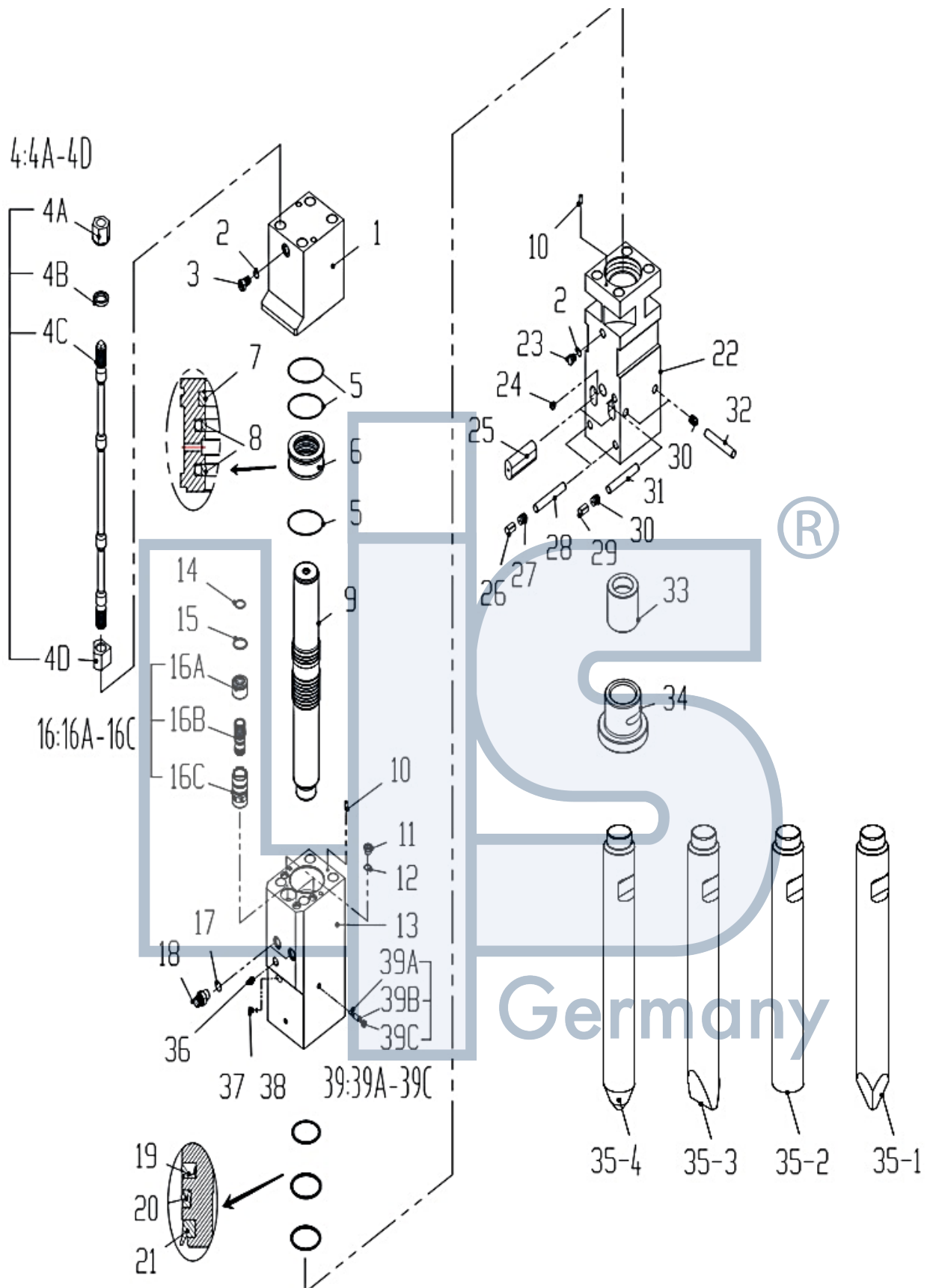
Parts and accessories list (LIS85-LIS100A)



Parts list Hammer body (LIS85-LIS100A)

NO	PARTS NAME	LIS85		LIS100		Remark
		P/N	Qty	P/N	Qty	
1	Cylinder	S3091001	1	S3111001	1	
2	Piston	S3091002	1	S3111002	1	
Valve Assy's		S5091000	/	S5111000	/	
3	Valve Sleeve	S5091002	1	S5111002	1	
4	Valve	S5091003	1	S5111003	1	
5	Valve Plug	S5091004	1	S5111004	1	
6	O-Ring	B2001045	1	B2002052	1	
7	O-Ring	B2001030	1	B2001035	1	
8	O-Ring	B2002018	3	B2002022	3	
9	Plug	B7001021	3	B7001026	3	
10	O-Ring	B2002024	2	B2002024	2	
11	Adapter	B7002026	2	B7002026	2	
12	Valve Adjuster	/	/	/	/	
13	O-Ring	/	/	/	/	
14	O-Ring	/	/	/	/	
15	Nuts For Valve Adjuster	/	/	/	/	
Seal Kit		S2091000	/	B2111000	/	
16	Dust Seal	B2091001	1	B2111001	1	
17	U-Packing	B2091002	1	B2111002	1	
18	Buffer Seal	B2091003	1	B2111003	1	
19	O-Ring	B2001115	3	B2001135	4	
21	Step Seal	B2091007	2	B2111007	2	
22	Gas Seal	B2091008	1	B2111008	1	
20	Seal Retainer	S3091004	1	S3111004	1	
23	Back Head	S4091001	1	S4111001	1	
24	O-Ring	B2002018	1	B2002018	1	
25	Charging Valve	B7003021	1	B7003021	1	
26	Front Head	S2091001	1	S2111001	1	
27	Thrust Bush	S2091003	1	S2111003	1	
28	Front Bush	S2091002	1	S2111002	1	
29	Rod Pin	S2091004	2	S2111004	2	
30	Front Cover Pin	S2091005	2	S2111005	2	
31	Spring Pin/Stop Pin	S2091006	3	S2111006	3	
32	Rubber For Front Cover Pin	B7007317	2	B7007326	2	
33	Spring Pin	/	2	B7007226	2	
34	Rubber For Spring Pin / Stop Pin	B7007317	3	B7007318	3	
35	Grease Nipple	B7005001	1	B7005001	1	
36	O-Ring	B2002018	1	B2002018	1	
37	Air Check Valve	B7004021	1	B7004021	1	
38	Nuts For Through Bolt	S8091102	4	S8111002	4	
Through Bolt Assy's		S8091000	/	S8111000	/	
39	Through Bolt	S8091001	4	S8111001	4	
40	Washer	S8091004	4	S8111004	4	
41	Hex Nut	S8091003	4	S8111003	4	
42	Locked Pin	B7007112	2	B7007112	2	
43	Rod (Moil Point)	B1093000	1	B1113000	1	
43-2	Rod (Blunt)	B1092000		B1112000		
43-3	Rod (Wedge)	B1094000		B1114000		
44-4	Rod (Cone)	B1091000		B1111000		

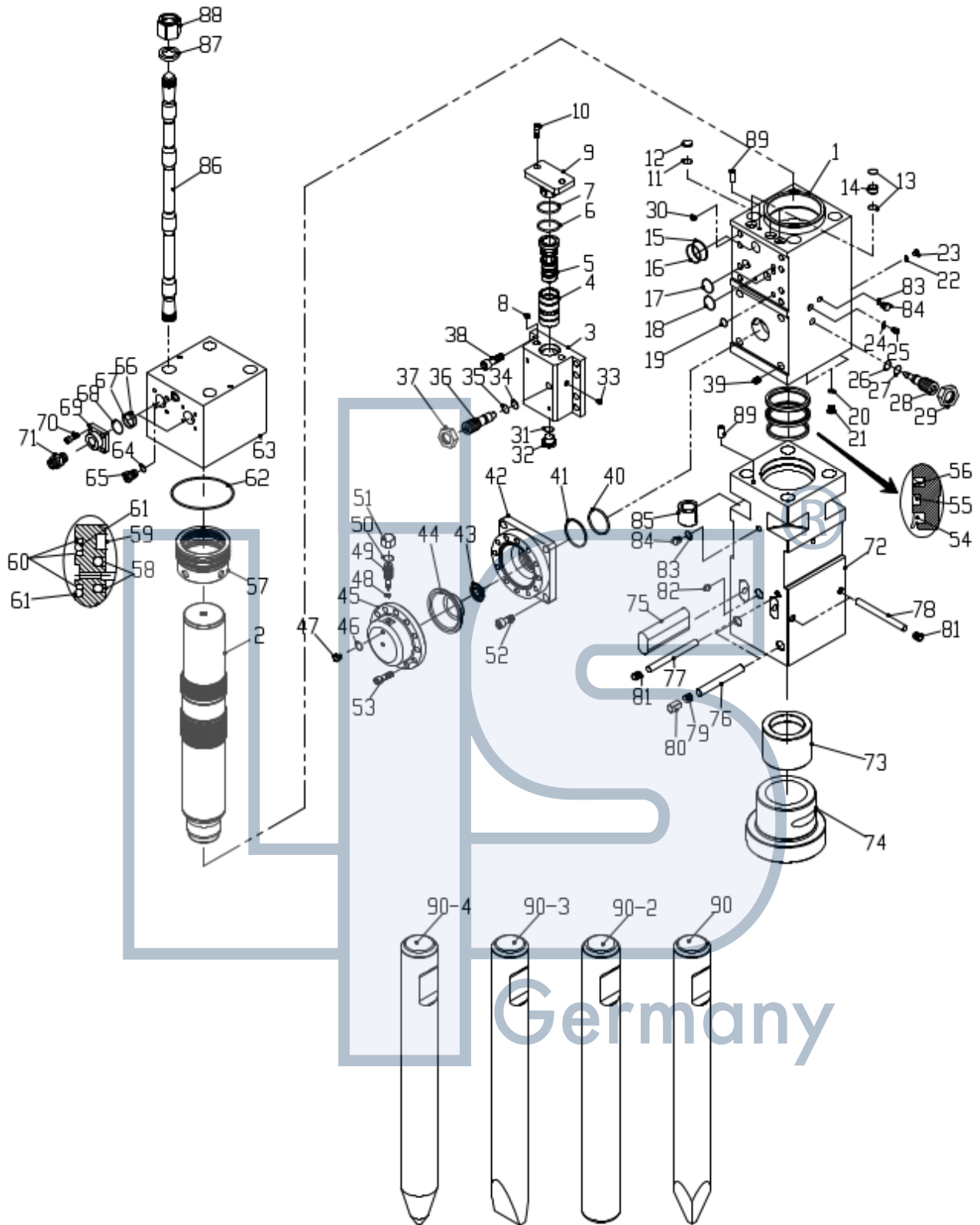
Parts and accessories list (LIS100ABH)



Parts list Hammer body (LIS100ABH)

NO	PARTS NAME		LIS100ABH		Remark			
			P/N	Qty				
1	Back Head		N100S3001	1				
2	O-Ring		B2002018	2				
3	Chargin Valve		B7003021	1				
Through Bolt Assy's			N100S4000	4				
4A	Hex Nut		N100S4003	1				
4B	Washer		N100S4004	1				
4C	Though Bolt		N100S4002	1				
4D	Nuts for Through Bolt		N100S4002	1				
6	Seal Retainer		N100S2003	1				
9	Piston		N100S2002	1				
10	Lock Pin		B7007112	2				
11	Plug		B7001026	3				
13	Cylinder		N100S2001	1				
Valve Assy			N100S2005	1				
16A	Valve Plug		N100S200504	1				
16B	Valve		N100S200503	1				
16C	Valve Sleeve		N100S200502	1				
18	Adapter		B7002026	2				
22	Front Head		N100S1001	1				
23	Air Check Valve		B7004021	1				
24	Grease Nipple		B7005001	1				
25	Rod Pin		N100S1004	2				
26	Spring Pin		B7007226	2				
27	Rubber		B7007326	2				
28	Front Cover Pin		N100S1005	2				
29	Spring Pin		B7007217	1				
30	Rubber		B7007317	3				
31	Thrust Bush Pin		N100S1006	1				
32	Stop Pin		N100S1007	2				
33	Thrust Bush		N100S1003	1				
34	Front Bush		N100S1002	1				
35-1	Moil Point Chisel		N100SQ001	1				
35-2	Blunt Chisel		N100SQ002	1				
35-3	Wedge Chisel		N100SQ003	1				
35-4	Cone Chisel		N100SQ004	1				
36	Pipe Adapter		B7002013-1	1				
37	Plug		B7001013	1				
ABH Switch			N100S20010120	1				
39A	Valve Rod		N100S20010120-1	1				
39B	O-Ring		B2002005	1				
39C	Nut		H48216120	1				
Seal Kit			N100S5000	1				
5	O-Ring	B201135	3	17	O-Ring	B2002024	2	
7	Step Seal	N100S200408	1	19	Buffer Seal	N100S200403	1	
8	Gas Seal	N100S200407	2	20	U-Packing	N100S200402	1	
12	O-Ring	B2002022A	3	21	Dust Seal	N100S00401	1	
14	O-Ring	B2001035	1	38	O-Ring	B2002011	1	
15	O-Ring	B2002052	1					

Parts and accessories list (LIS120A, LIS135A)

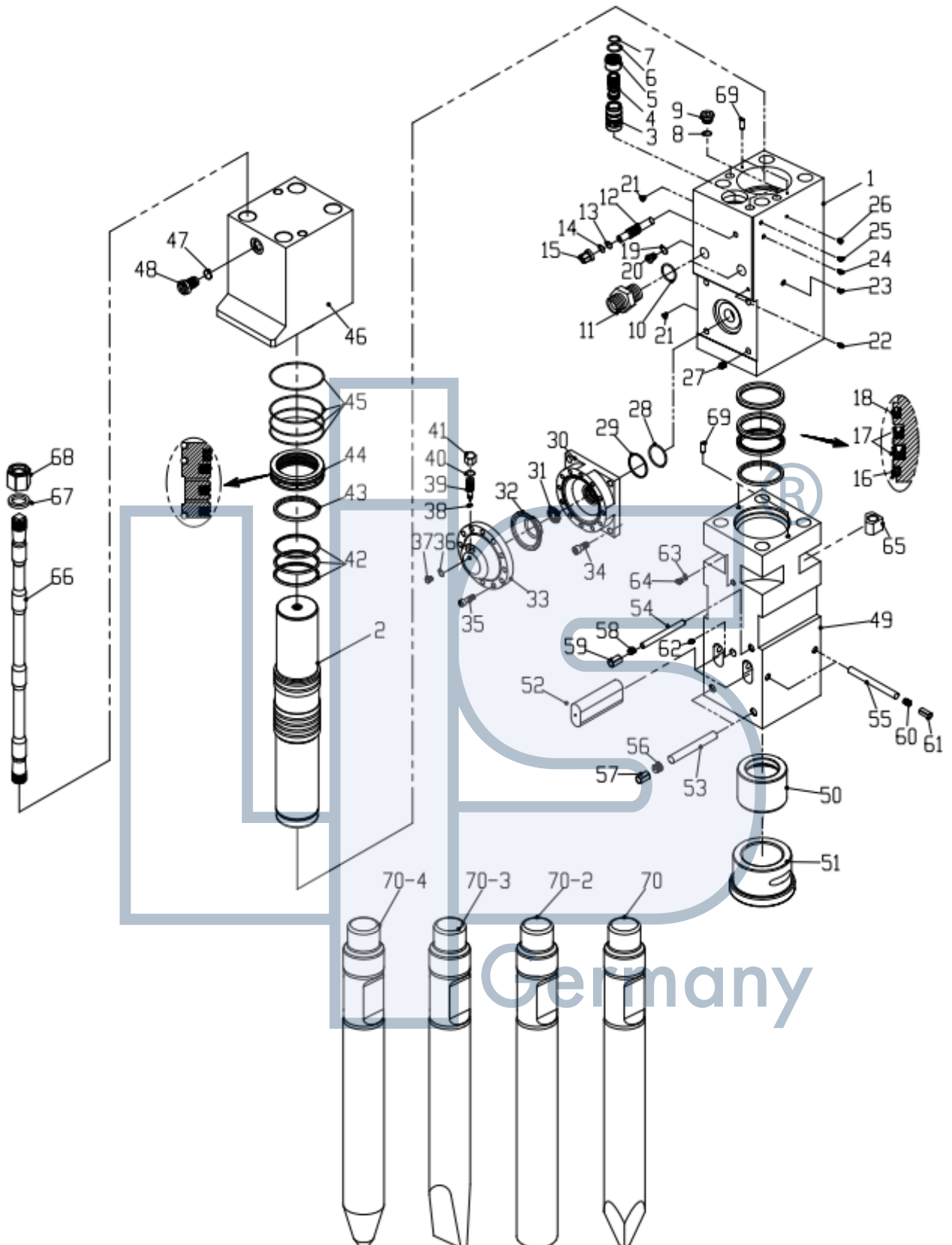


Parts list Hammer body (LIS120A, LIS135A)

NO	PARTS NAME	LIS120		LIS135A		Remark
		P/N	Qty	P/N	Qty	
1	Cylinder	S3501001	1	S3701001	1	
2	Piston	S3501002	1	S3701002	1	
Valve Assy's		S5501000	/	S5701000	/	
3	Valve Cover	S5501001	1	S5701001	1	
4	Valve Sleeve	S5501002	1	S5701002	1	
5	Valve	S5501003	1	S5701003	1	
6	O-Ring	B2001055	1	B2001060	1	
7	O-Ring	/	/	B2003060	1	
8	Sleeve For Bolt	B7006020	2	B7006024	2	
9	O-Ring	S5501004	1	S5701004	1	
10	Hex Bolt	/	2	/		
11	O-Ring	B2001025	1	B2001030	1	
12	Plug	B7001330	1	B7001335	1	
13	O-Ring	B2002026	4	B2001030	4	
14	Oil Guide Tube	B7001232	2	B7001235	2	
15	O-Ring	B2001045	1	B2001045	1	
16	Rings For Shoulder	B2003045	1	B2003045	1	
17	O-Ring	B2001035	2	B2001040	2	
18	O-Ring	B2001040	1	B2001045	1	
19	O-Ring	B2001025	2	B2001030	2	
20	O-Ring	B2002011	2	B2002011	2	
21	Plug	B7001013	2	B7001013	2	
22	O-Ring	B2002011	1	B2002011	1	
23	Plug	B7001013	1	B7001013	1	
24	O-Ring	B2002011	1	B2002011	1	
25	Plug	B7001013	1	B7001013	1	
26	O-Ring	B2002011	1	B2002011	1	
27	Rings For Shoulder	B2003011	1	B2003011	1	
28	Valve Adjuster	B8502101	1	B8502101	1	
29	Nuts For Valve Adjuster	B8502102	2	B8502102	2	
30	Valve Adjuster	B7006020	8	B7006020	8	
31	O-Ring	B2002030	1	B2002030	1	
32	Plug	B7001034	1	B7001034	1	
33	Plug	B7001113	1	B7001113	1	
34	O-Ring	B2002011	1	/	/	
35	Rings For Shoulder	B2003011	1	/	/	
36	Valve Adjuster	B8501101	/	B8701101	1	
37	Nuts For Valve Adjuster	B8501102	/	B8701102	1	
38	Hex Bolt	/	8	/	8	
39	Sleeve For Bolt	B7006024	10	B7006024	10	
Accumulator Ass'y		S6501000	/	S6701000	/	
40	Rings For Shoulder	B2003080	1	B2003080	1	
41	O-Ring	B2001080	1	B2001080	1	
42	Accumulator Body	S6501002	1	S6141002	1	
43	Holder	S6501004	1	S6141004	1	
44	Diaphragm	S6501003	1	S6141003	1	
45	Accumulator Cover	S6501001	1	S6141001	1	
46	O-Ring	B2002014	1	B2002014	1	

NO	PARTS NAME	LIS120		LIS135A		Remark
		P/N	Qty	P/N	Qty	
47	P. V. C Plug	B7003203	1	B7003203	1	
48	O-Ring	B2002005	1	B2002005	1	
49	Accumulator Charging	B7003201	1	B7003201	1	
50	O-Ring	B2002014	1	B2002014	1	
51	Cap	B7003202	1	B7003202	1	
52	Hex Bolt	/	4	/	4	
53	Hex Bolt	/	20	/	12	
Seal Kit		B2501000	/	B2701000	/	
54	Dust Seal	B2501001	1	B2701001	1	
55	U-Packing	B2501002	1	B2701002	1	
56	Buffer Seal	B2501003	1	B2701003	1	
58	Step Seal	B2501007	2	B2701007	1	
59	Gas Seal	B2501008	1	B2701008	1	
60	Rings For Shoulder	B2004145	3	B2003165	3	
61	O-Ring	B2002145	2	B2001165	2	
62	O-Ring	B20011180	1	B2001200	1	
57	Seal Retainer	S3501004	1	S3701004	1	
63	Back Head	S4501001	1	S4701001	1	
64	O-Ring	B2002018	1	B2002018	1	
65	Charging Valve	B7003021	1	B7003021	1	
66	O-Ring	B2001040	2	B2001040	2	
67	Rings For Shoulder	B2003040	2	B2003040	2	
68	O-Ring	B2001055	2	B2001055	2	
69	Oil Tube Base	B7003045	2	B7003045	2	
70	Hex Bolt	/	8	/	8	
71	Adapter	B7002034	2	B7002034	2	
72	Front Head	S2501001	1	S2701001	1	
73	Thrust Bush	S2501003	/	S2701003	1	
74	Front Bush	S2501002	/	S2701002	1	
75	Rod Pin	S2501004	2	S2701004	2	
76	Front Cover Pin	S2501005	2	S2701005	2	
77	Spring Pin	S2501006	1	S2701006	1	
78	Stop Pin	S2501006	2	S2701006	2	
79	Rubber For Front Cover Pin	B7007326	1	B7007330	2	
80	Spring Pin For Front Cover Pin	B7007226	1	B7007230	2	
81	Rubber For Spring Pin/Stop Pin	B7007317	1	B7007320	1	
82	Grease Nipple	B7005001	1	B7005001	1	
83	O-Ring	B2002018	1	B2002018	1	
84	Air Check Valve	B7004021	1	B7004021	1	
Through Bolt Ass'y		S8501000	/	S8701000	/	
85	Nuts For Through Bolt	S8501102	4	S8701102	4	
86	Through Bolt	S8501001	4	S8701001	4	
87	Washer	S8501004	4	S8701004	4	
88	Hex Nut	S8501003	4	S8701003	4	
89	Locked Pin	/	/	/	/	
90	Rod (Moil Point)	B1503000	1	B1703000	1	
90-2	Rod (Blunt)	B1502000		B1702000		
90-3	Rod (Wedge)	B1504000		B1704000		
90-4	Rod (Cone)	B1501000		B1701000		

Parts and accessories list (LIS140A, LIS155, LIS165, LIS175)

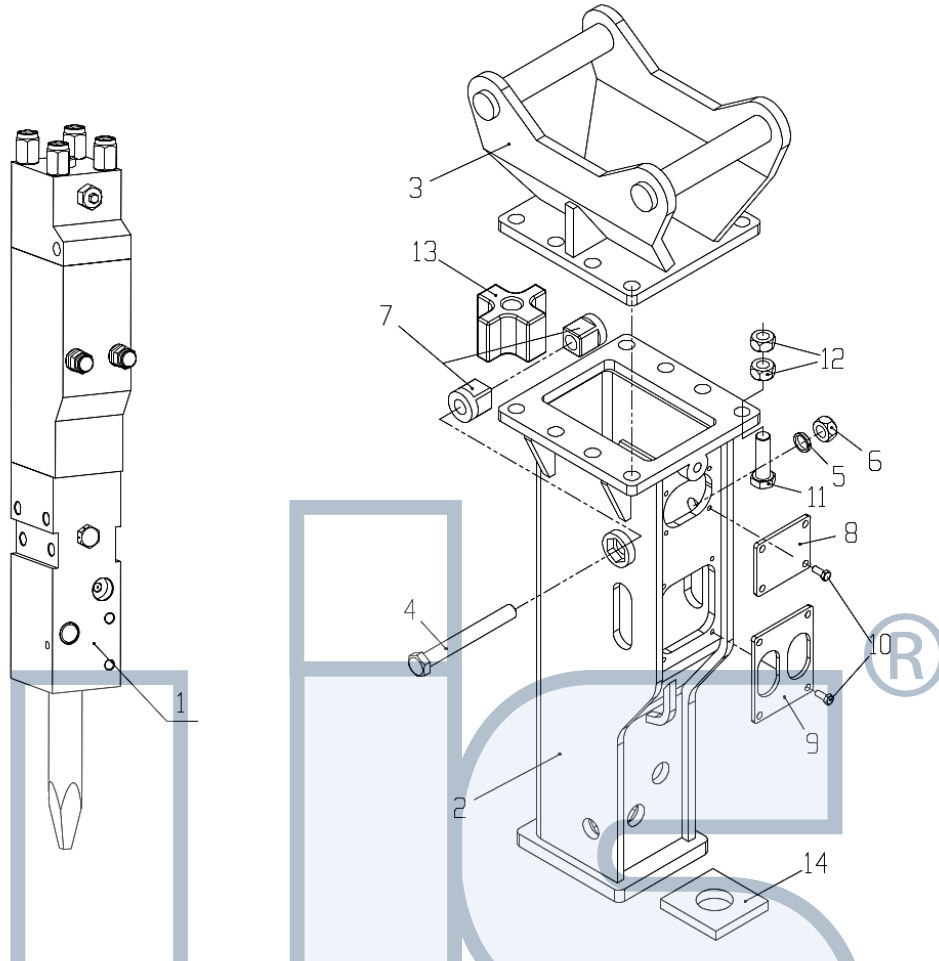


Parts list Hammer body (LIS140A, LIS155A, LIS165A, LIS175A)

NO	PARTS NAME	LIS140 A		LIS155A		LIS165A		LIS175A		Remark
		P/N	Qty	P/N	Qty	P/N	Qty	P/N	Qty	
1	Cylinder	S3151001	1	S3221001	1	S3231001	1	S3251001	1	
2	Piston	S3141002	1	S3221002	1	S3231002	1	S3251002	1	
Valve Assy's		S5151000	/	S5221000	/	S5231000	/	S5251000	/	
3	Valve Sleeve	S5141002	1	S5221002	1	S5231002	1	S5251002	1	
4	Valve	S5141003	1	S5221003	1	S5231003	1	S5251003	1	
5	Valve Plug	S5141004	1	S5221004	1	S5231004	1	S5251004	1	
6	O-Ring	B2001070	1	B2001085	1	B2001080	1	B2001100	1	
7	O-Ring	B2001055	1	B2001055	1	B2001055	1	B2001080	1	
8	O-Ring	B2002025	3	B2002032	3	B2002032	3	B2002035	3	
9	Plug	B7001027	3	B7001036	3	B7001036	3	B7001039	3	
10	O-Ring	B2002038	2	B2002044	2	B2002044	2	B2002044	2	
11	Adapter	B7002042	2	B7002049	2	B7002049	2	B7002049	2	
12	Valve Adjuster	B8141101	1	B8221101	1	B8221101	1	B8251101	1	
13	O-Ring	B2002022	1	B2002029	1	B2002029	1	B2002029	1	
14	O-Ring	B2002015	1	B2002018	1	B2002018	1	B2002018	1	
15	Nuts For Valve Adjuster	B8141102	1	B8221102	1	B8221102	1	B8251102	1	
Seal Kit		B2151000	/	B2221000	/	B2231000	/	B2251000	/	
16	Dust Seal	B2141001	1	B2221001	1	B2231001	1	B2251001	1	
17	U-Packing	B2141002	1	B2221002	1	B2231002	2	B2251002	2	
18	Buffer Seal	B2141003	1	B2221003	1	B2231003	1	B2251003	1	
42	Step Seal	B2141007	2	B2221007	2	B2231007	3	B2251007	3	
43	Gas Seal	B2141008	1	B2221008	1	B2231008	1	B2251008	1	
45	O-Ring	B2001180	3	B2001195	3	B2001210	3	B2001210	4	
44	Seal Retainer	S3141004	1	S3221004	1	S3231004	1	S3251004	1	
19	O-Ring	/	/	/	/	B2002032	1	B2002035	3	
20	Plug	/	/	/	/	B7001036	1	B7001039	3	
21	Plug	/	/	/	/	B7001113	2	B7001118	2	
22	Plug	/	/	/	/	B7001113	1	B7001113	1	
23	Plug	/	/	/	/	B7001113	1	B7001113	1	
24	Plug	/	/	/	/	B7001118	1	B7001118	1	
25	Plug	/	/	/	/	B7001113	1	B7001118	1	
26	Plug	/	/	/	/	B7001113	1	B7001113	1	
27	Sleeve For Bolt	B7006024	4	B7006024	4	B7006024	4	B7006024	4	
Accumulator Assy's		S6151000	/	S6221000	/	S6231000	/	S6251000	/	
28	Rings For Shoulder	B2003080	1	B2004095	1	B2004095	1	B2003080	1	
29	O-Ring	B2001080	1	B2002095	1	B2002095	1	B2001080	1	
30	Accumulator Body	S6141002	1	S6221002	1	S6221002	1	S6251002	1	
31	Holder	S6141004	1	S6141004	1	S6141004	1	S6141004	1	
32	Diaphragm	S6141003	1	S6221003	1	S6221003	1	S6251003	1	
33	Accumulator Cover	S6141001	1	S6221001	1	S6221001	1	S6251001	1	
34	Hex Bolt	/	4	/	4	/	4	/	4	
35	Hex Bolt	/	12	/	16	/	16	/	16	
36	O-Ring	B2002014	1	B2002014	1	B2002014	1	B2002014	1	
37	P. V. C Plug	B7003203	1	B7003203	1	B7003203	1	B7003203	1	
38	O-Ring	B2002005	1	B2002005	1	B2002005	1	B2002005	1	
39	Accumulator Charging	B7003201	1	B7003201	1	B7003201	1	B7003201	1	
40	O-Ring	B2002014	1	B2002014	1	B2002014	1	B2002014	1	
41	Cap	B7003202	1	B7003202	1	B7003202	1	B7003202	1	

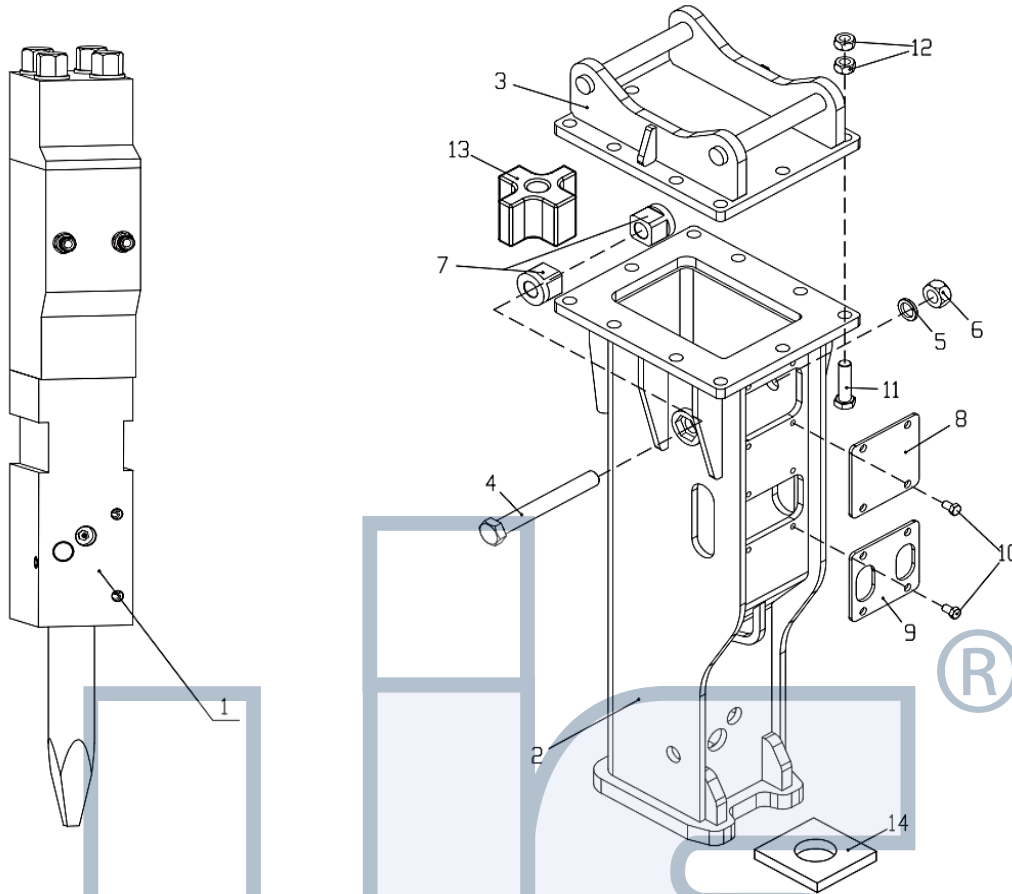
NO	PARTS NAME	LIS140 A		LIS155A		LIS165A		LIS175A		Remark
		P/N	Qty	P/N	Qty	P/N	Qty	P/N	Qty	
46	Back Head	S4141001	1	S4221001	1	S4231001	1	S4251001	1	
47	O-Ring	B2002018	1	B2002018	1	B2002018	1	B2002018	1	
48	Charging Valve	B7003021	1	B7003021	1	B7003021	1	B7003021	1	
49	Front Head	S2141001	1	S2221001	1	S2231001	1	S2251001	1	
50	Thrust Bush	S2141003	1	S2221003	1	S2231003	1	S2251003	1	
51	Front Bush	S2141002	1	S2221002	1	S2231002	1	S2251002	1	
52	Rod Pin	S2141004	2	S2221004	2	S2221004	2	S2251004	2	
53	Front Cover Pin	S2141005	2	S2221005	2	S2221005	2	S2251005	2	
54	Thrust Bush Pin	S2141006	1	S2221006	2	S2231006	1	S2251006	1	
55	Stop Pin	S2141007	2	S2221007	2	S2231007	2	S2251007	2	
56	Rubber For Front Cover Pin	B7007330	2	B7007326	2	B7007326	2	B7007336	2	
57	Spring Pin For Front Cover Pin	B7007230	2	B7007226	2	B7007226	2		2	
58	Rubber For Front Bush Pin	B7007320	1	B7007317	1	B7007317	1	B7007326	2	
59	Spring Pin	/	/	B7007217	1	B7007217	1	B7007226	2	
60	Rubber For Spring Pin/Stop Pin	B7007320	1	B7007317	1	B7007317	1		1	
61	Spring Pin	/	/	/	/	/	/	/	/	
62	Grease Nipple	B7005001	1	B7005001	1	B7005001	1	B7005001	1	
63	O-Ring	B2002018	1	B2002018	1	B2002018	1	B2002018	1	
64	Air Check Valve	B7004021	1	B7004021	1	B7004021	1	B7004021	1	
Through Bolt Ass'y		S8151000	/	S8221000	/	S8231000	/	S8251000	/	
65	Nuts For Through Bolt	S8141002	4	S8221002	4	S8221002	4	S8251002	4	
66	Through Bolt	S8141001	4	S8221001	4	S8231001	4	S8251001	4	
67	Washer	S8141004	4	S8221004	4	S8221004	4	S8251004	4	
68	Hex Bolt	S8141003	4	S8221003	4	S8221003	4	S8251003	4	
69	Locked Pin	B7007112	2	B7007112	2	B7007112	2	B7007118	2	
70	Rod (Moil Point)	B1143000	1	B1223000	1	B1233000	1	B1253000	1	
70-2	Rod (Blunt)	B1142000		B1222000		B1232000		B1252000		
70-3	Rod (Wedge)	B1144000		B1224000		B1234000		B1254000		
70-4	Rod (Cone)	B1141000		B1221000		B1231000		B1251000		

Housing parts and accessories list BOX TYPE (LIS40,LIS45,LIS53)



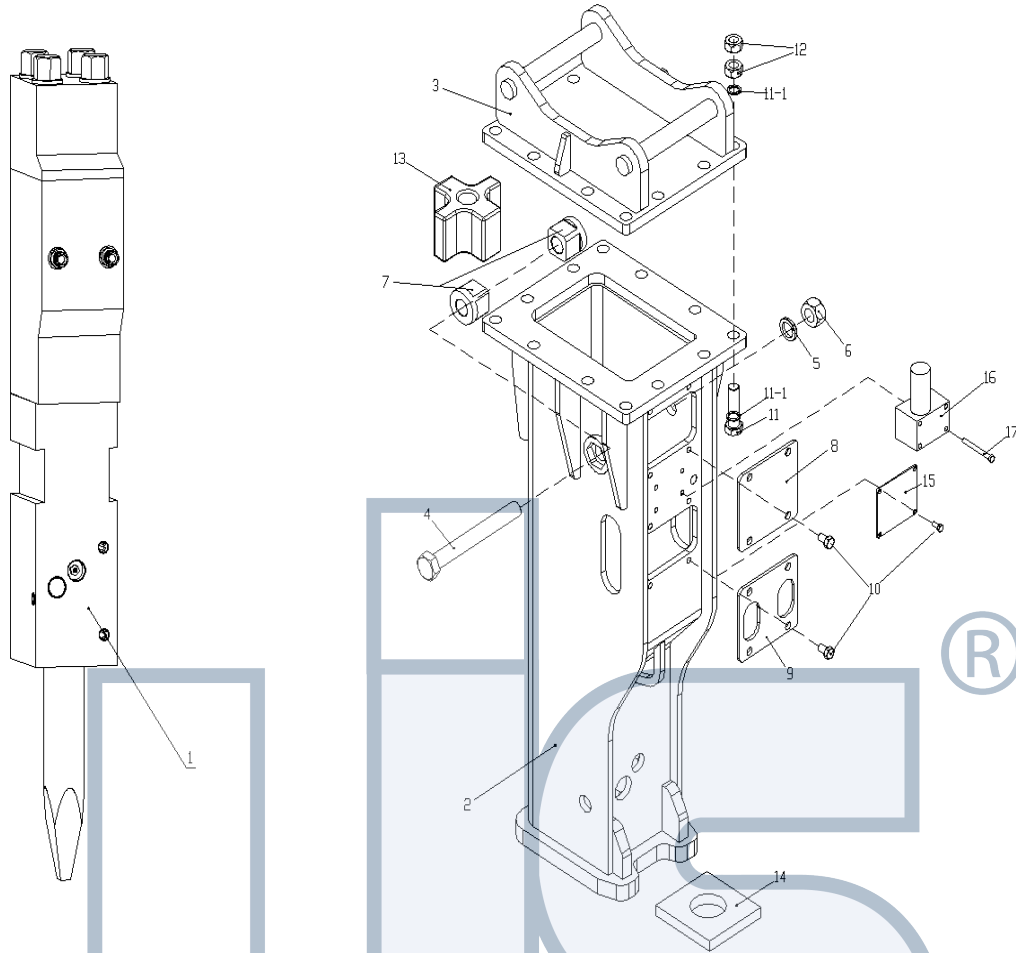
NO	PARTS NAME	LIS40		LIS45		LIS53		REMARKS
		P/N	Qty	P/N	Qty	P/N	Qty	
	Frame Ass'y	S7033200	/	S7043200	/	S7063200	/	
1	Body Ass'y	S1031000	1	S1041000	1	S1061000	1	
2	Frame	S7033201	1	S7043201	1	S7063201	1	
3	Connecting Head	S7033202	1	S7033202	1	S7063202	1	
4	Flush Bolt	H41120180	1	H41120180	1	H41120180	1	
5	Washer	H49020300	1	H49020300	1	H49020300	1	
6	Side Bolt	H48120110	1	H48120110	1	H48120110	1	
7	Fixed Block	S7033210	2	S7033210	2	S7063210	2	
8	Charging valve cover	S7033211	1	S7033211	1	S7063211	1	
9	Oil tube cover	S7033212	1	S7033212	1	S7063212	1	
10	Cover bolt	H41108020	8	H41108020	8	H41108020	8	
11	Connecting Bolt	H41120065	8	H41120065	8	H41120070	8	
12	Connecting nut	H48120110	16	H48120110	16	H48120110	16	
13	Cross shock block	B2061101	1	B2061101	1	B2061102	1	
14	Damping plate	B2067101	1	B2067102	1	B2067103	1	

Housing parts and accessories list BOX TYPE (LIS68)



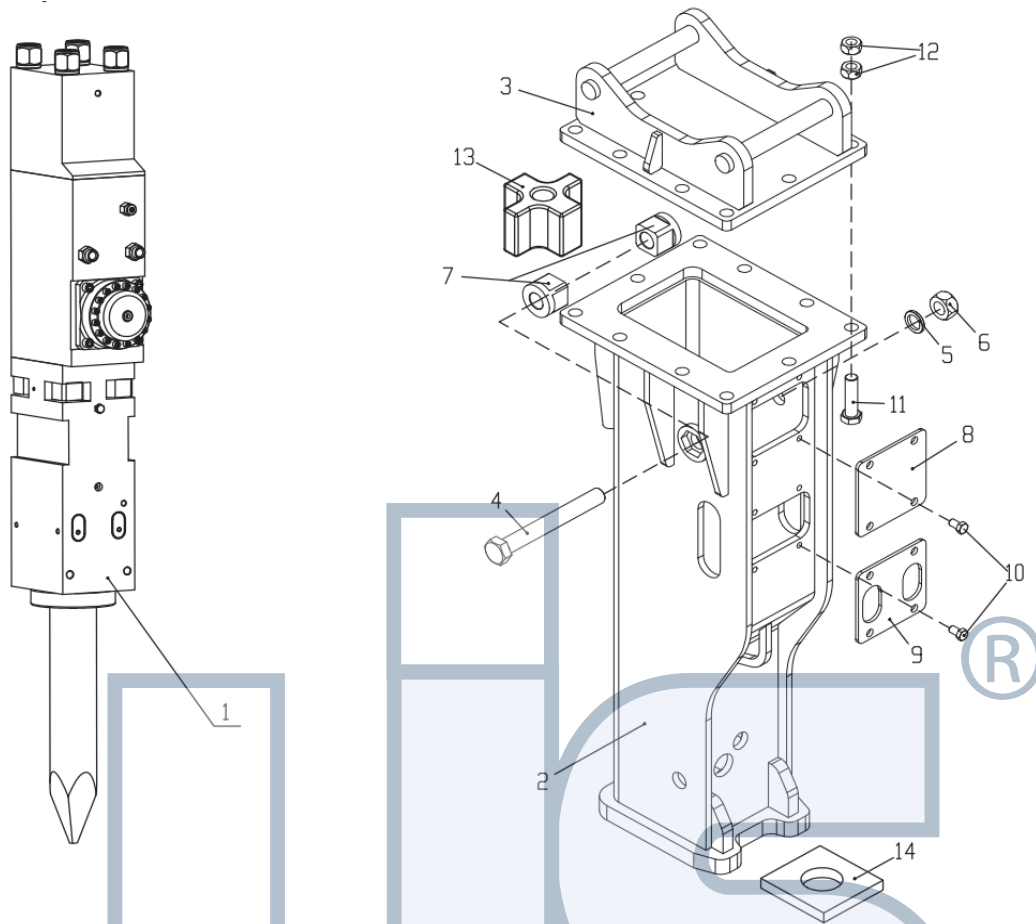
NO	PARTS NAME	LIS68		LIS75A		LIS100A		REMARKS
		P/N	Qty	P/N	Qty	P/N	Qty	
	Frame Ass'y	S7073200	/	S7083200	/	S7113200	/	
1	Body Ass'y	S1071000	1	S1081000	1	S1111000	1	
2	Frame	S7073201	1	S7083201	1	S7113201	1	
3	Connecting Head	S7073202	1	S7083202	1	S7113202	1	
4	Flush Bolt	H41127220	1	H41130230	1	H41136315	1	
5	Washer	H49027300	1	H49030300	1	H49036300	1	
6	Side Bolt	H48127110	1	H48130110	1	H48136110	1	
7	Fixed Block	S7073210	2	S7083210	2	S7113210	2	
8	Charging valve cover	S7073211	1	S7083211	1	S7113211	1	
9	Oil tube cover	S7073212	1	S7083212	1	S7113212	1	
10	Cover bolt	H41112020	8	H41110020	8	H41112020	8	
11	Connecting Bolt	H41120075	10	H41120075	18	H41124095	14	
12	Connecting nut	H48120110	20	H48120110	36	H48124110	28	
13	Cross shock block	B2061103	1	B2061103	1	B2061105	1	
14	Damping plate	B2067104	1	B2067105	1	B2067206	1	

Housing parts and accessories list BOX TYPE (LIS75A, LIS100A)



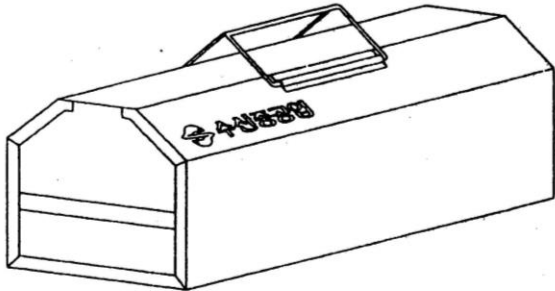
NO	PARTS NAME	LIS75A		LIS100A		REMARKS
		P/N	Qty	P/N	Qty	
	Frame Ass'y	S7083200	1	s7113200	/	
1	Body Ass'y	S1081000	1	S1111000	1	
2	Frame	S7083201	1	s7113201	1	
3	Connecting Head	S7083202	1	S7113202	1	
	Side Bolt Set	H48130110	1	H48136110	1	
4	Flush Bolt	H41130230	1	H41136315	1	
5	Washer	H49030300	1	H49036300	1	
6	Side Bolt	H48130110	1	H48136110	1	
7	Fixed Block	S7083210	2	S7113210	1	
8	Charging valve cover	S7083211	1	S7113211	2	
9	Oil tube cover	S7083212	1	S7113212	1	
10	Cover bolt	H41108020	12	H41108020	1	
	Connection Bolt Set	HLIS0075	12	HLIS100	12	
11	Connecting Bolt	H41120080	12	H41124100	12	
12	Connection Washer	H49020100	24	H49024100	24	
13	Connection Nut	H48120110	24	H48124110	24	
14	Cross shock block	B2061103	1	B2061105	1	
12	Damping plate	B2067104	1	B2067206	1	
13	ABH Cover	S7083213	1	S7113213	1	
14	Autolube	S1-250AUTOLUBE	1	LISC5+AUTOLUBE	1	
15	Autolube Bolt	H42112090	2	H42112090	4	

Housing parts and accessories list BOX TYPE(LIS140A, LIS155)

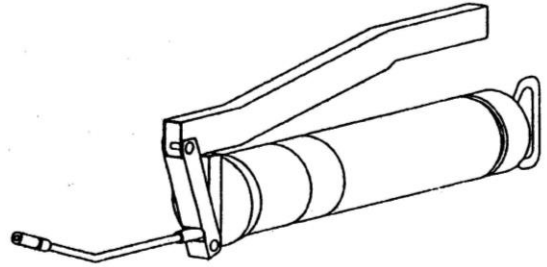


NO	PARTS NAME	LIS140A		LIS155		REMARKS
		P/N	Qty	P/N	Qty	
	Frame Ass'y	S7143200	/	S7223200	/	
1	Body Ass'y	S1151000	1	S1221000	1	
2	Frame	S7153201	1	S7223201	1	
3	Connecting Head	S7153202	1	S7223202	1	
4	Flush Bolt	H41148380	1	H41148415	1	
5	Washer	H49048300	1	H49048300	1	
6	Side Bolt	H48148110	1	H48148110	1	
7	Fixed Block	S7153210	2	S7223210	2	
8	Charging valve cover	S7153211	1	S7223211	1	
9	Oil tube cover	S7153212	1	S7223212	1	
10	Cover bolt	H41112020	10	H41112020	10	
11	Connecting Bolt	H41130115	16	H41130125	12	
12	Connecting nut	H48130110	32	H48130110	24	
13	Cross shock block	B2061108	1	B2061109	1	
14	Damping plate	B2067107	1	B2067208	1	

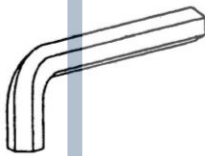
Tools and Tool Box



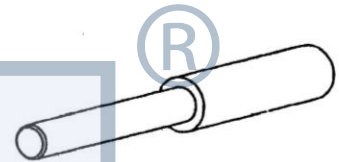
TOOL BOX



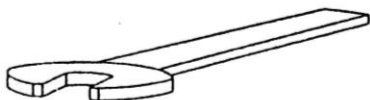
GREASE GUN



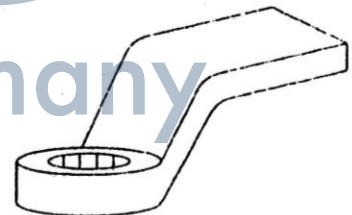
L-WRENCH



PIN BAR



SINGLE SPANNER



SINGLE RING SPANNER

Germany

Tool SET

Tool	Qty	LIS40	LIS45	LIS53	LIS68	LIS75A	LIS85	LIS100A
Tool Set	1	B3032000	B3042000	B3062000	B3072000	B3082000	B3092000	B3112000
Tool Box	1	B3001000						
	1	B3002000	<-	<-	<-	<-	<-	<-
	1	B3003000						
Mamometer	1	B4000100-1	<-	<-	<-	<-	<-	<-
Fill Valve N2 Long	1	B4005000	<-	<-	<-	<-	<-	<-
Hose Mamometer	1	2900003	<-	<-	<-	<-	<-	<-
Hose Hammer to Machine 1,6Meter	1	B5121160	<-	<-	<-	<-	<-	<-
Hose Hammer to Machine 2,2Meter	1	B5121220	<-	<-	<-	<-	<-	<-
Hose Hammer to Machine 2,2Meter	1	B5251220	<-	<-	<-	<-	<-	<-
Grease Cartridge Interlube 400g	1	LISHC400	<-	<-	<-	<-	<-	<-
Grease Cartridge 400g	1	3100018	<-	<-	<-	<-	<-	<-
Grease Nipple Sleeve	1	H3005114	<-	<-	<-	<-	<-	<-
Grease Gun	1	3042301	<-	<-	<-	<-	<-	<-
PIN Outlet	1	B7008009	<-	<-	B7008015	<-	<-	<-
PIN Carrier	1	-	-	-	-	-	-	-
Information Pack	1	M2001000	<-	<-	<-	<-	<-	<-
Instruction	1	M2001010	<-	<-	<-	<-	<-	<-
Certification	1	M2031000	M2041000	M2061000	M2071000	M2081000	M2091000	M2111000
Manual	1	M2001020	<-	<-	<-	<-	<-	<-
Parking List	1	M2031010	M2041010	M2061010	M2071010	M2081010	M2091010	M2111010
Monkey Spanner	1	H3006210	<-	<-	<-	<-	<-	<-
Single Ring Spanner	1	30mm	34mm	36mm	41mm	46mm	<-	55mm
	1	H3003030	H3003034	H3003036	H3003041	H3003046		H3003055
Single Ring Spanner	1	24mm	27mm	30mm	-	-	50mm	-
	1	H3003024	H3003027	H3003030			H3003050	
Single Ring Spanner	1	-	30mm	-	-	-	-	-
	1	-	H3003030	-	-	-	-	-
Open Spanner	1	-	-	27mm	<-	<-	<-	32mm
	1	-	-	H3002027	-	-	-	H3002032
Open Spanner	1	-	-	-	-	-	-	-
	1	-	-	-	-	-	-	-
Open Spanner	1	-	-	-	-	-	-	-
	1	-	-	-	-	-	-	-
Hex Socket	1	-	-	-	-	-	-	-
	1	-	-	-	-	-	-	-
Hex Socket	1	-	-	-	-	-	-	-
	1	-	-	-	-	-	-	-

Tool	Qty	LIS40	LIS45	LIS53	LIS68	LIS75A	LIS85	LIS100A
Hex Socket	1	-	-	-	-	-	-	-
	1	-	-	-	-	-	-	-
Hex Socket	1	-	-	-	-	-	-	-
	1	-	-	-	-	-	-	-
Hex Socket	1	-	-	-	-	-	-	-
	1	-	-	-	-	-	-	-
Hex Socket	1	-	-	-	-	-	-	-
	1	-	-	-	-	-	-	-
Hex Socket	1	-	-	-	-	-	-	-
	1	-	-	-	-	-	-	-

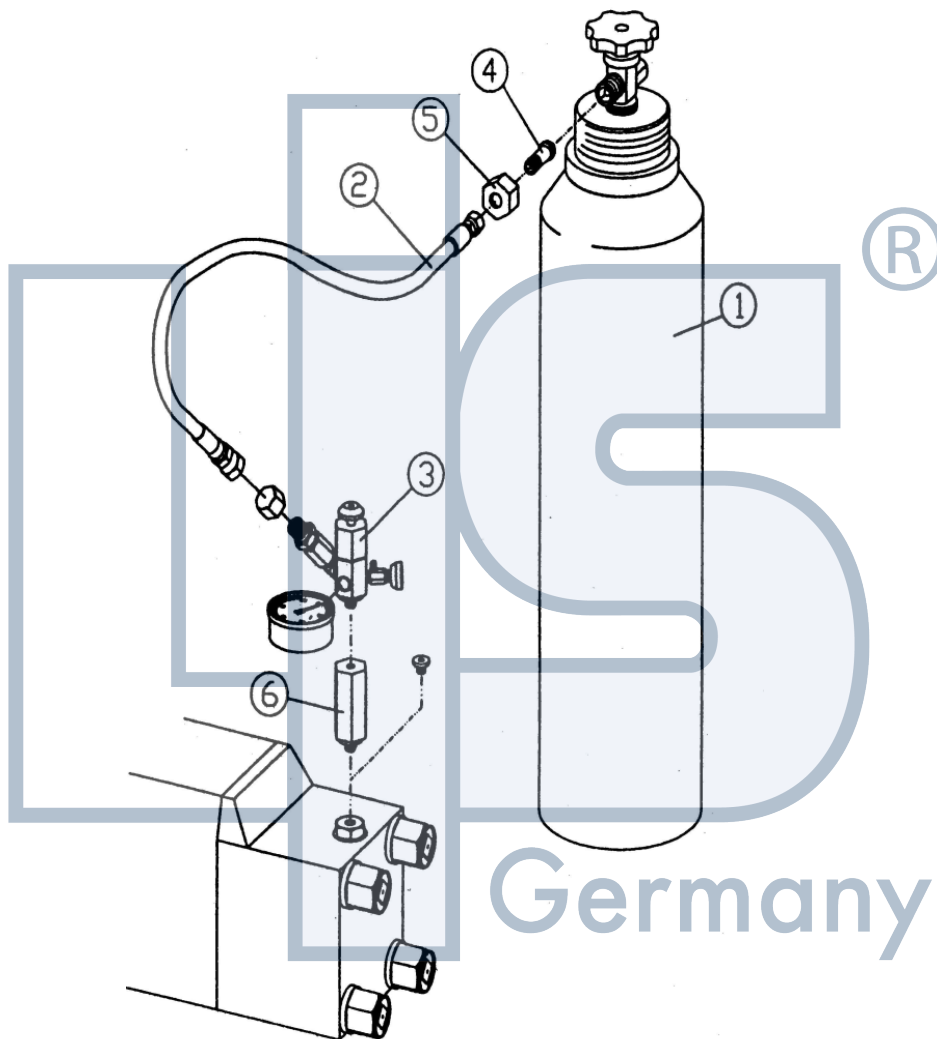


LIS120A	LIS135A	LIS140A	LIS155	LIS165	LIS175	LIS185	LIS190	LIS195
10mm	<-	19mm	<-	<-	<-	<-	<-	<-
H3001010	<-	H3001019	<-	<-	<-	<-	<-	<-
12mm	<-	-	5mm	<-	<-	<-	<-	<-
H3001012	<-	-	H3001005	<-	<-	<-	<-	<-
14mm	<-	-	-	-	-	22mm	24mm	<-
H3001014	<-	-	-	-	-	H3001022	H3001024	<-
5mm	<-	-	-	-	-	-	-	22mm
H3001005	<-	-	-	-	-	-	-	H3001022
-	-	-	-	-	-	-	-	10mm
-	-	-	-	-	-	-	-	H3001010



Back head charging tool set

NO	PARTS NO	Q'ty	PARTS NAME
	C61 204	1set	N2 GAS CHARGING SET
1	2900003	1	N2 GAS CYLINDER
2	2651001	1	SYNFLEX HOSE
3	C91 142	1	B-3WAY VALVE ASSEMBLY
4	C91 122	1	BOMBE ADAPTER
5	C91 121	1	BOMBE ADAPTER NUT
6	F01 137	1	LONG ADAPTER: USE FOR BOX TYPE



Accumulator charging tool set

NO	PARTS NO	Q'ty	PARTS NAME
	C61205	1set	ACCUMULATOR GAS CHARGING SET
1	C61204	1set	N2 GAS CHARGING SET
2	2850010	1	O-RING
3	U81414	1	O-RING-HEX BUSHING
4	2850014	1	O-RING

